

**FLYTECH**

# K655N3

15" Self-Checkout Kiosk

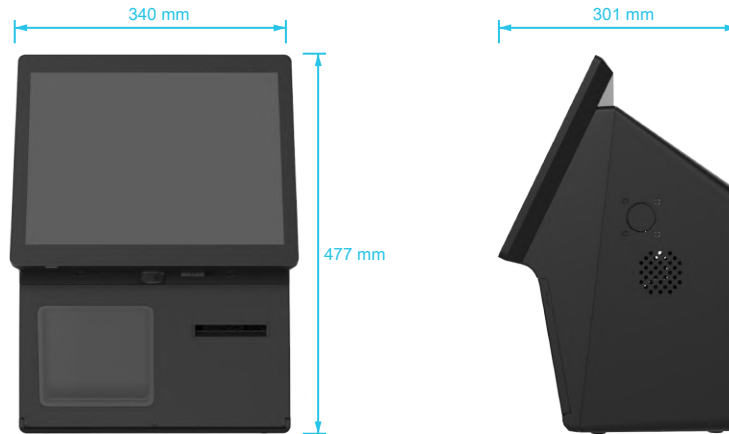
 Windows  Linux  Android 13



## KEY FEATURES:

- Integrated with Intel® Alder Lake-N and Meteor Lake processors
- Compatible with Windows, Linux, and Android operating systems
- Comprehensive range of peripheral and accessory options
- Easily open the front door of the peripheral for quick repairs
- Space-saving footprint to fit easily into any retail environment

## DIMENSIONS



## SPECIFICATIONS

		<b>G35</b>	<b>G75U</b>
<b>System</b>	<b>Motherboard</b>		
	Processor	Intel® Alder Lake N: N97, i3-N305	Intel® Meteor Lake Core Ultra 5 125U
	Memory	8GB DDR4	8GB DDR5
	Storage	128GB SSD (M.2)	128GB SSD (M.2)
<b>Display</b>	Size and Resolution	15" 1024 x 768	15" 1024 x 768
	Touch Screen	True-Flat PCAP multi-touch	True-Flat PCAP multi-touch
<b>I/O Ports</b>	USB Type-A	2 x USB3.0, 4 x USB2.0	4 x USB3.0, 2 x USB2.0
	USB Type-C	1 x USB3.0 full-functioned (DP/PD 5V/3A, 12V/3A)	1 x USB3.0 full-functioned (DP/PD 5V/3A, 12V/3A)
	FeDP	2 x Flytech proprietary miniDP (1 for main display, 1 for 2nd display)	2 x Flytech proprietary miniDP (1 for main display, 1 for 2nd display)
	Serial Port	3 x RJ48 (standard RS232) (default 0V; 5V, 12V)	3 x RJ48 (standard RS232) (default 0V; 5V, 12V)
	LAN	1 x RJ45	1 x RJ45
	Cash Drawer	1 x RJ11	1 x RJ11
	DC Jack	1 x 4PIN (with latch)	1 x 4PIN (with latch)
	Power Button	1	1
<b>Audio</b>	Speaker	1 x 3W	1 x 3W
<b>Power</b>	Power Supply	65W/19V	120W/19V
<b>Communication</b>	WLAN+BT	802.11 series + BT5.0 (Option)	802.11 series + BT5.0 (Option)
<b>Peripherals (option)</b>	Camera	2MP Camera (on top pole)	2MP Camera (on top pole)
	Light Bar	Light Bar Module	Light Bar Module
	2nd Display	11.6" 2nd display	11.6" 2nd display
	Scanner	Supported Honeywell 7990G, Datalogic M3450VSi, SuperLead 72CJ/7801	Supported Honeywell 7990G, Datalogic M3450VSi, SuperLead 72CJ/7801
	Printer	Supported Epson® TM-M30III, TM-T88VI, TM-T88VII, HPRT TP808	Supported Epson® TM-M30III, TM-T88VI, TM-T88VII, HPRT TP808
	Payment Device	Supported Verifone P400, Ingenico LANE 3000/3600 (payment bracket only)	Supported Verifone P400, Ingenico LANE 3000/3600 (payment bracket only)
	Top Pole	Top Pole Module	Top Pole Module
	Mounting Kit	Counter mount kit	Counter mount kit
<b>Certificate</b>	Certificate	FCC Class A, CE Mark Class A, LVD	FCC Class A, CE Mark Class A, LVD
<b>Environment</b>	Operating Temperature	0°C ~ 35°C (32°F ~ 95°F)	0°C ~ 35°C (32°F ~ 95°F)
	Storage Temperature	-20°C ~ 60°C (-4°F ~ 140°F)	-20°C ~ 60°C (-4°F ~ 140°F)
	Humidity	20% ~ 85% RH non-condensing	20% ~ 85% RH non-condensing
<b>Dimensions</b>	W x H x D	340 x 477 x 301 mm (13.4" x 18.8" x 11.9")	340 x 477 x 301 mm (13.4" x 18.8" x 11.9")
<b>OS Supported</b>		Windows 10 IoT Enterprise, Linux, Android 13.0	Windows 10 IoT Enterprise, Linux, Android 13.0

※ PRODUCT SPECIFICATIONS AND DATA ARE SUBJECT TO CHANGE WITHOUT NOTICE ※

## Taiwan - Headquarters

No.168, Sing-ai Rd., Neihu District,  
 Taipei City 11494, Taiwan, R.O.C.  
 886-2-8791-4988  
 886-2-8791-4966  
 sales@flytech.com  
 www.flytech.com

## U.S.A. - California

271 East Brokaw Road, San Jose,  
 CA 95112, U.S.A.  
 1-510-257-5180  
 1-510-257-5181  
 sales.americas@flytech.com

## China - Shanghai

3F Building 39, No. 333 Qin Jiang Rd.,  
 Shanghai 200233, P.R.China  
 86-21-5426-1555  
 86-21-5426-1001  
 sales@flytech.com.cn  
 www.flytech.com.cn

## China - Hong Kong SAR

Rm01, 6/F, Blk A, Tonic Industrial Centre,  
 26 Kai Cheung Road, Kowloon Bay,  
 Kowloon, Hong Kong.  
 852-3525-5800  
 852-2751-7447  
 sales@flytech.com.hk

