

FLYTECH

K86B

The Best Innovation
Self-Service Kiosk



Features

- 27" large touchscreen
- Fanless and ultra-slim design
- Versatile peripherals including RFID / 2D Scanner / 5MP camera / Printer / PIN Pad*
- Modular design for easy serviceability and upgradability
- Compliant to ADA*

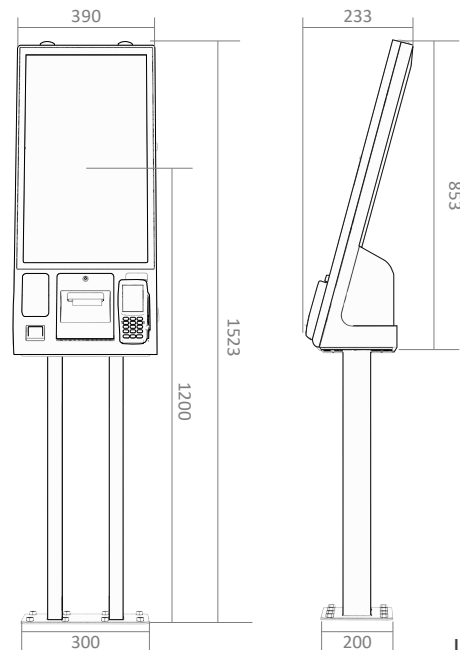
** PIN Pad bracket options only*

** ADA: American with Disabilities Act has set a whole set of design requirements for kiosks to be user-friendly for anyone including users with disabilities.*

Mounting Solutions



Dimensions



Unit: mm

	Motherboard	F14	F84U
System	Processor Memory Storage	Qualcomm® 660 4GB LPDDR4 64GB eMMC	Intel® Tiger Lake i3-1115G4 4GB DDR4 128GB SSD (M.2)
Display	Size and Resolution Touch Screen	27" 1920 x 1080 (Full HD) True-Flat PCAP multi-touch	27" 1920 x 1080 (Full HD) True-Flat PCAP multi-touch
I/O Ports	USB Type-A USB Type-C FeDP Serial Port LAN Cash Drawer DC Jack	2x USB3.0 2x USB2.0 1x USB3.0 (data only) 2x Flytech proprietary miniDP 2x DB9 (Powered RS232) (default: 0V; COM1/COM2: 0V, 5V, 12V) 1x RJ45 1x RJ11 1x 4PIN (with latch)	2x USB3.0 2x USB2.0 2x USB3.0 (data only) 2x Flytech proprietary miniDP 2x DB9 (Powered RS232) (default: 0V; COM1/COM2: 0V, 5V, 12V) 1x RJ45 1x RJ11 1x 4PIN (with latch)
Audio	Speaker	1 x 3W	1 x 3W
Power	Power Supply	65W/19V	120W/19V
Communication	WLAN+BT	802.11 series, BT4.1 (*built-in on F14 motherboard)	802.11 series + BT4.0 (option)
Peripherals (option)	RFID Scanner Camera Printer Pin Pad Mounting Kit	RFID Reader 2D Scanner 5MP Camera or Intel® RealSense™ Depth Camera Supported Epson® TM-m30, Star MCP31LB, XP-R330H Supported Verifone® VX820, P400, Ingenico iPP 320, LANE 3000 (payment bracket only) Wall mount kit Counter mount kit Floor stand kit	RFID Reader 2D Scanner 5MP Camera or Intel® RealSense™ Depth Camera Supported Epson® TM-m30, Star MCP31LB, XP-R330H Supported Verifone® VX820, P400, Ingenico iPP 320, LANE 3000 (payment bracket only) Wall mount kit Counter mount kit Floor stand kit
Certificate	EMC & Safety	FCC Class A, CE Mark Class A, LVD	FCC Class A, CE Mark Class A, LVD
Environment	Operating Temperature Storage Temperature Humidity	0°C ~ 35°C (32°F ~ 95°F) -20°C ~ 60°C (-4°F ~ 140°F) 20%~85% RH non-condensing	0°C ~ 35°C (32°F ~ 95°F) -20°C ~ 60°C (-4°F ~ 140°F) 20%~85% RH non-condensing
Dimensions	W x H x D	387 x 854 x 233 mm (15.2" x 33.6" x 9") (*dimensions of display)	387 x 854 x 233 mm (15.2" x 33.6" x 9") (*dimensions of display)
Weight	Weight (w/o Accessory)	30 kg (66.1 lbs)	30 kg (66.1 lbs)
OS Supported		Android 10	Windows 10 IoT Enterprise, Linux

※ PRODUCT SPECIFICATIONS AND DATA ARE SUBJECT TO CHANGE WITHOUT NOTICE ※

Taiwan - Headquarters

No.168, Sing-ai Rd., Neihu District,
Taipei City 11494, Taiwan, R.O.C.
886-2-8791-4988
886-2-8791-4966
sales@flytech.com.tw
www.flytech.com

U.S.A. - California

271 East Brokaw Road, San Jose,
CA 95112, U.S.A.
1-510-257-5180
1-510-257-5181
sales@flytech.com

China - Shanghai

3F Building 39, No. 333 Qin Jiang Rd.,
Shanghai 200233, P.R.China
86-21-5426-1555
86-21-5426-1001
sales@flytech.com.cn
www.flytech.com.cn

China - Hong Kong SAR

Rm01, 6/F, Blk A, Tonic Industrial Centre,
26 Kai Cheung Road, Kowloon Bay,
Kowloon, Hong Kong.
852-3525-5800
852-2751-7447
sales@flytech.com.hk

