



K767



Features

- 15" True-Flat Resistive or PCAP Touch
- Intel Bay Trail or Haswell Processor
- Front IP65
- WiFi + BT Available
- MSR Available

*Fanless is Available for Intel Bay Trail



IP65



Fanless *



WiFi



MSR

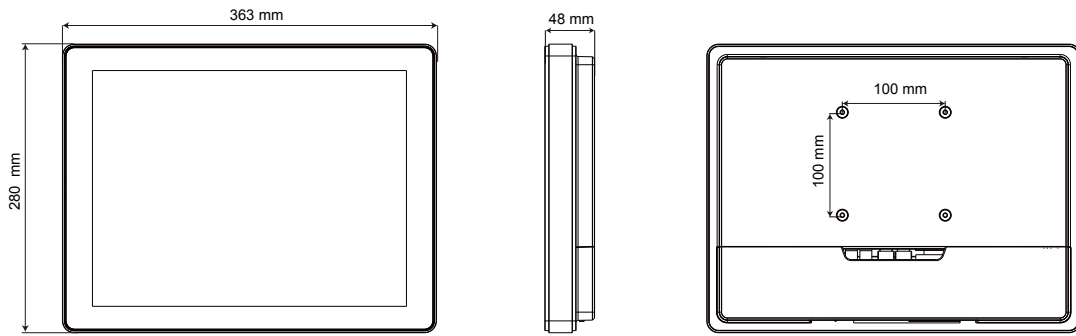
Reliability, functionality, accuracy, hygiene, performance efficiency and cost-effectiveness are all synonyms for hardware solutions when it comes to interactive information, digital signage, kiosks, and medical equipment. Whether looking for panel PC solutions for mission critical or non-critical environments, at Flytech, we understand the importance of providing the optimal panel PC system that suits an array of applications.

K767

Multifunctional Touch Panel PC

FLYTECH

www.flytech.com



Specification

Motherboard	Type	D36*	D66
	Processor	Intel Bay Trail CPU Celeron J1900, Quad Core 2G/2.41G	Intel Haswell CPU (max. 45W)
	Chipset	CPU Integrated	Intel Q87 (AMT 9.0)
	System Memory	DDR3L 1333MHz (max. 8G)	DDR3 1333MHz (max. 8G)
	Memory Socket	1x SO-DIMM	1x SO-DIMM
	Graphic Engine	Intel HD Graphic	Intel HD Graphic
LCD Touch Panel	LCD Size	15" (4:3 ratio)	15" (4:3 ratio)
	Brightness	350 nits	350 nits
	Resolution	1024 x 768	1024 x 768
	Touch Screen	True-Flat Resistive or PCAP Touch	True-Flat Resistive or PCAP Touch
Storage Device	HDD/ SSD	1x 2.5" SATA	1x 2.5" SATA
	Flash Memory	SATA Slim SSD 8G/ 16G/ 32G/ 64G (Option)	SATA Slim SSD 8G/ 16G/ 32G/ 64G (Option)
Expansion	Mini PCI-E Socket	1	1
External I/O Ports	USB	1x USB3.0, 4x USB2.0	2x USB3.0, 4x USB2.0
	Serial Port	4x RJ48 (with DB9 convert cable)	4x RJ48 (with DB9 convert cable)
	LAN	2x RJ45	2x RJ45
	Audio Jack	1x Line-out	1x Line-out, 1x Mic-in
	VGA	1x DB15	1x DB15
	DVI	1x DVI-D (Option)	1x DVI-D (Option)
Audio	Internal Speaker	1x 2W	1x 2W
Power	Power Adapter	65W / 19V	120W / 19V
	Wide Range Power Input	12-48V	12-48V
	Connector	4-pole DIN (with latch)	4-pole DIN (with latch)
Peripheral (Option)	WiFi + BT	802.11 b/g/n WLAN card + BT 4.0	802.11 b/g/n WLAN card + BT 4.0
	MSR	3-Track MSR (USB)	3-Track MSR (USB)
Certificate	EMC & Safety	FCC Class A, CE Mark, LVD	FCC Class A, CE Mark, LVD
	Medical	N/A	EN 60601-1, UL 60601-1 3rd
Environment	Ventilation	Fanless	Fan
	Dust & Water Proof	Front IP65	Front IP65
	Operating Temperature	0°C ~ 35°C (32°F ~ 95°F) (Still Air)	0°C ~ 35°C (32°F ~ 95°F) (Still Air)
	Storage Temperature	-20°C ~ 60°C (-4°F ~ 140°F)	-20°C ~ 60°C (-4°F ~ 140°F)
	Humidity	20% ~ 85% RH non-condensing	20% ~ 85% RH non-condensing
Dimension (WxDxH)	363 x 48 x 280 mm (14.3" x 1.9" x 11.0")		
Weight	4.9 kg (10.8 lbs)		
Mounting	VESA Mount 100 x 100		
OS Supported	Windows 7 (32/64bit), Windows 8.1 (32/64bit), Windows 10 (64bit), Linux		

Taiwan - Headquarters

No.168, Sing-ai Rd., Neihu District,
Taipei City 11494, Taiwan, R.O.C.
Tel: 886-2-8791-4988
Fax: 886-2-8791-4966
E-mail: sales@flytech.com.tw
www.flytech.com

U.S.A. - California

728 Charcot Ave, San Jose,
CA 95131, U.S.A
Tel: 1-510-257-5180
Fax: 1-510-257-5181
E-mail: sales@flytech.com

China - Shanghai

3F Building 39, No. 333 Qin Jiang Rd.,
Shanghai 200233, P.R.China
Tel: 86-21-5426-1555
Fax: 86-21-5426-1001
E-mail: sales@flytech.com.cn
www.flytech.com.cn

China - Hong Kong

Room 01, 6/F, Block A, Tonic Industrial
Centre, 26 Kai Cheung Road, Kowloon
Bay, Kowloon, Hong Kong.
Tel: 852-3525-5800
Fax: 852-2751-7447
E-mail: sales@flytech.com.hk