



K75C



500 nits



IP65



WiFi



MSR



Device Box

Features

- 32" True-Flat PCAP Touch
- Intel Skylake S Processor
- Front IP65
- WiFi + BT Available
- MSR Available
- Device Box (Smart IC Card Reader, RFID, Scanner, Line-out, Mic-in) Available



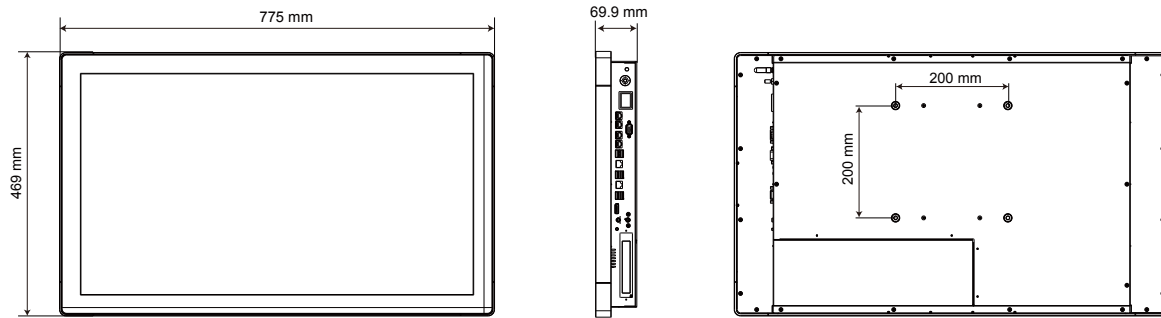
Flytech's latest K75C 32" multi-touch screen embedded system delivers all the reliability, functionality and performance efficiency required for an interactive information display in various touch applications. The powerful K75C is a True-Flat projected capacitive All-in-One solution equipped with the latest Intel 6th Generation Skylake-S processor and provides a high-brightness picture and the most responsive gestures-based display available today. With its rich I/O interface paired with an optional device box, the K75C offers endless connectivity options making it a perfect fit for the commercial, hospitality, automation, medical, healthcare, kiosk and infotainment markets.

K75C

Multifunctional Touch Panel PC

FLYTECH

www.flytech.com



Specification

Motherboard	Type Processor Chipset System Memory Memory Socket Graphic Engine	D85S Intel Skylake S CPU Intel Q170 DDR3L 1600MHz (max. 16G) 2x SO-DIMM Intel HD Graphic
LCD Touch Panel	LCD Size Brightness Resolution Touch Screen	32" (16:9 ratio) 500 nits 1920 x 1080 True-Flat PCAP Touch
Storage Device	HDD/ SSD Flash Memory	1x 2.5" SATA SATA Slim SSD 8G/ 16G/ 32G/ 64G (Option)
Expansion	Mini PCI-E Socket	1
External I/O Ports	USB Serial Port LAN Audio Jack VGA Display Port	4x USB3.0, 2x USB2.0 3x RS232, 1x RS232/422/485 2x GbE 1x Line-out, 1x Mic-in 1x DB15 1
Audio	Internal Speaker	2x 3W
Power	Power Input	100 ~ 240VAC, 50/60Hz
Peripheral (Option)	WiFi + BT MSR Device Box	802.11 b/g/n WLAN card + BT 4.0 3-Track MSR (USB) Smart IC Card Reader, RFID, Scanner, Line-out, Mic-in
Certificate	EMC & Safety	FCC Class A, CE Mark, LVD
Environment	Ventilation Dust & Water Proof Operating Temperature Storage Temperature Humidity	Fan Front IP65 0°C ~ 35°C (32°F ~ 95°F) (Still Air) -20°C ~ 60°C (-4°F ~ 140°F) 20% ~ 85% RH non-condensing
Dimension (WxDxH)		775 x 69.9 x 469 mm (30.5" x 2.8" x 18.5")
Weight		18 kg (39.7 lbs)
Mounting		VESA Mount 200 x 200
OS Supported		Windows 7 (64bit), POSReady 7 (64bit), Windows 8.1 (64bit), Windows Embedded 8.1 Industry (64bit), Windows 10 (64bit), Windows 10 IoT Enterprise (64bit), Linux

Taiwan - Headquarters

No.168, Sing-ai Rd., Neihu District,
Taipei City 11494, Taiwan, R.O.C.
Tel: 886-2-8791-4988
Fax: 886-2-8791-4966
E-mail: sales@flytech.com.tw
www.flytech.com

U.S.A. - California

728 Charcot Ave, San Jose,
CA 95131, U.S.A
Tel: 1-510-257-5180
Fax: 1-510-257-5181
E-mail: sales@flytech.com

China - Shanghai

3F Building 39, No. 333 Qin Jiang Rd.,
Shanghai 200233, P.R.China
Tel: 86-21-5426-1555
Fax: 86-21-5426-1001
E-mail: sales@flytech.com.cn
www.flytech.com.cn

China - Hong Kong

Room 01, 6/F, Block A, Tonic Industrial
Centre, 26 Kai Cheung Road, Kowloon
Bay, Kowloon, Hong Kong.
Tel: 852-3525-5800
Fax: 852-2751-7447
E-mail: sales@flytech.com.hk