



K75A



IP65



Fanless*



WiFi



Webcam



MSR



Device Box

Features

- 24" True-Flat PCAP Touch
- Intel Bay Trail or Haswell Processor
- Front IP65
- WiFi + BT Available
- Webcam Available
- MSR Available
- Device Box (Smart IC Card Reader, RFID, Scanner, Line-out, Mic-in) Available

*Fanless is Available for Intel Bay Trail



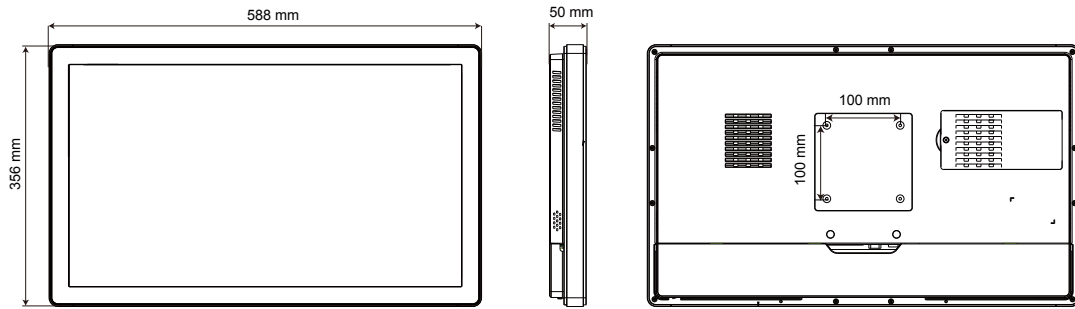
Reliability, functionality, accuracy, hygiene, performance efficiency and cost-effectiveness are all synonyms for hardware solutions when it comes to interactive information, digital signage, kiosks, and medical equipment. Whether looking for panel PC solutions for mission critical or non-critical environments, at Flytech, we understand the importance of providing the optimal panel PC system that suits an array of applications.

K75A

Multifunctional Touch Panel PC

FLYTECH

www.flytech.com



Specification

Motherboard	Type	D35*	D66	
	Processor	Intel Bay Trail CPU Celeron J1900, Quad Core 2G/2.41G	Intel Haswell CPU (max. 45W)	
LCD Touch Panel	Chipset	CPU Integrated	Intel Q87 (AMT 9.0)	
	System Memory	DDR3L 1333MHz (max. 8G)	DDR3 1333MHz (max. 8G)	
	Memory Socket	1x SO-DIMM	1x SO-DIMM	
	Graphic Engine	Intel HD Graphic	Intel HD Graphic	
Storage Device	HDD/ SSD	1x 2.5" SATA	1x 2.5" SATA	
	Flash Memory	SATA Slim SSD 8G/ 16G/ 32G/ 64G (Option)	SATA Slim SSD 8G/ 16G/ 32G/ 64G (Option)	
	Expansion	Mini PCI-E Socket	1	1
		External I/O Ports	USB	4x USB2.0
Serial Port	2x DB9		4x RJ48 (with DB9 convert cable)	
LAN	2x RJ45		2x RJ45	
Audio Jack	1x Line-out, 1x Mic-in		1x Line-out, 1x Mic-in	
VGA	N/A		1x DB15	
DVI	1x DVI-I		1x DVI-D (Option)	
Audio	Internal Speaker	2x 3W	2x 3W	
	Power	Power Adapter	90W / 19V	120W / 19V
Wide Range Power Input		12-48V	12-48V	
Connector		4-pole DIN (with latch)	4-pole DIN (with latch)	
Peripheral (Option)	WiFi + BT	802.11 b/g/n WLAN card + BT 4.0	802.11 b/g/n WLAN card + BT 4.0	
	Built-in Webcam	5MP	5MP	
	MSR	3-Track MSR (USB)	3-Track MSR (USB)	
	Device Box	Smart IC Card Reader, RFID, Scanner, Line-out, Mic-in	Smart IC Card Reader, RFID, Scanner, Line-out, Mic-in	
Certificate	EMC & Safety	FCC Class B, CE Mark, LVD	FCC Class A, CE Mark, LVD	
	Medical	N/A	EN 60601-1, UL 60601-1 3rd	
Environment	Ventilation	Fanless	Fan	
	Dust & Water Proof	Front IP65	Front IP65	
	Operating Temperature	0°C ~ 35°C (32°F ~ 95°F) (Still Air)	0°C ~ 35°C (32°F ~ 95°F) (Still Air)	
	Storage Temperature	-20°C ~ 60°C (-4°F ~ 140°F)	-20°C ~ 60°C (-4°F ~ 140°F)	
	Humidity	20% ~ 85% RH non-condensing	20% ~ 85% RH non-condensing	
Dimension (WxDxH)	588 x 50 x 356mm (23.1" x 1.96" x 14.0")			
Weight	7 kg (15.4 lbs)			
Mounting	VESA Mount 100 x 100			
OS Supported	Windows 7 (32/64bit), Windows 8.1 (32/64bit), Windows 10 (64bit), Linux			

Taiwan - Headquarters

No.168, Sing-ai Rd., Neihu District,
Taipei City 11494, Taiwan, R.O.C.
Tel: 886-2-8791-4988
Fax: 886-2-8791-4966
E-mail: sales@flytech.com.tw
www.flytech.com

U.S.A. - California

728 Charcot Ave, San Jose,
CA 95131, U.S.A
Tel: 1-510-257-5180
Fax: 1-510-257-5181
E-mail: sales@flytech.com

China - Shanghai

3F Building 39, No. 333 Qin Jiang Rd.,
Shanghai 200233, P.R.China
Tel: 86-21-5426-1555
Fax: 86-21-5426-1001
E-mail: sales@flytech.com.cn
www.flytech.com.cn

China - Hong Kong

Room 01, 6/F, Block A, Tonic Industrial
Centre, 26 Kai Cheung Road, Kowloon
Bay, Kowloon, Hong Kong.
Tel: 852-3525-5800
Fax: 852-2751-7447
E-mail: sales@flytech.com.hk