



## K759



IP65



Fanless\*



WiFi



Webcam



MSR



Device Box

### Features

- 21.5" True-Flat PCAP Touch
- Intel Bay Trail or Haswell Processor
- Front IP65
- WiFi + BT Available
- Webcam Available
- MSR Available
- Device Box (Smart IC Card Reader, RFID, Scanner, Line-out, Mic-in) Available

\*Fanless is Available for Intel Bay Trail



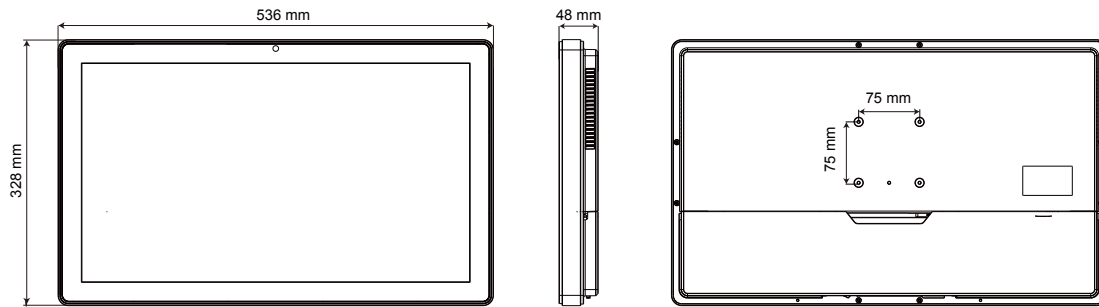
Reliability, functionality, accuracy, hygiene, performance efficiency and cost-effectiveness are all synonyms for hardware solutions when it comes to interactive information, digital signage, kiosks, and medical equipment. Whether looking for panel PC solutions for mission critical or non-critical environments, at Flytech, we understand the importance of providing the optimal panel PC system that suits an array of applications.

# K759

Multifunctional Touch Panel PC

**FLYTECH**

www.flytech.com



## Specification

<b>Motherboard</b>	Type	D36*	D66
	Processor	Intel Bay Trail CPU Celeron J1900, Quad Core 2G/2.41G	Intel Haswell CPU (max. 45W)
	Chipset	CPU Integrated	Intel Q87 (AMT 9.0)
	System Memory	DDR3L 1333MHz (max. 8G)	DDR3 1333MHz (max. 8G)
	Memory Socket	1x SO-DIMM	1x SO-DIMM
	Graphic Engine	Intel HD Graphic	Intel HD Graphic
<b>LCD Touch Panel</b>	LCD Size	21.5" (16:9 ratio)	21.5" (16:9 ratio)
	Brightness	250 nits	250 nits
	Resolution	1920 x 1080	1920 x 1080
	Touch Screen	True-Flat PCAP Touch	True-Flat PCAP Touch
<b>Storage Device</b>	HDD/ SSD	1x 2.5" SATA	1x 2.5" SATA
	Flash Memory	SATA Slim SSD 8G/ 16G/ 32G/ 64G (Option)	SATA Slim SSD 8G/ 16G/ 32G/ 64G (Option)
<b>Expansion</b>	Mini PCI-E Socket	1	1
<b>External I/O Ports</b>	USB	1x USB3.0, 4x USB2.0	2x USB3.0, 4x USB2.0
	Serial Port	4x RJ48 (with DB9 convert cable)	4x RJ48 (with DB9 convert cable)
	LAN	2x RJ45	2x RJ45
	Audio Jack	1x Line-out	1x Line-out, 1x Mic-in
	VGA	1x DB15	1x DB15
	DVI	1x DVI-D (option)	1x DVI-D (option)
<b>Audio</b>	Internal Speaker	2x 2W	2x 2W
<b>Power</b>	Power Adapter	90W / 19V	120W / 19V
	Wide Range Power Input	12-48V	12-48V
	Connector	4-pole DIN (with latch)	4-pole DIN (with latch)
<b>Peripheral (Option)</b>	WiFi + BT	802.11 b/g/n WLAN card + BT 4.0	802.11 b/g/n WLAN card + BT 4.0
	Built-in Webcam	2MP	2MP
	MSR	3-Track MSR (USB)	3-Track MSR (USB)
	Device Box	Smart IC Card Reader, RFID, Scanner, Line-out, Mic-in	Smart IC Card Reader, RFID, Scanner, Line-out, Mic-in
<b>Certificate</b>	EMC & Safety	FCC Class A, CE Mark, LVD	FCC Class A, CE Mark, LVD
<b>Environment</b>	Ventilation	Fanless	Fan
	Dust & Water Proof	Front IP65	Front IP65
	Operating Temperature	0°C ~ 35°C (32°F ~ 95°F) (Still Air)	0°C ~ 35°C (32°F ~ 95°F) (Still Air)
	Storage Temperature	-20°C ~ 60°C (-4°F ~ 140°F)	-20°C ~ 60°C (-4°F ~ 140°F)
	Humidity	20% ~ 85% RH non-condensing	20% ~ 85% RH non-condensing
<b>Dimension (WxDxH)</b>		536 x 48 x 328 mm (21.1" x 1.9" x 12.9")	
<b>Weight</b>		8 kg (17.6 lbs)	
<b>Mounting</b>		VESA Mount 75 x 75	
<b>OS Supported</b>		Windows 7 (32/64bit), Windows 8.1 (32/64bit), Windows 10 (64bit), Linux	

### Taiwan - Headquarters

No.168, Sing-ai Rd., Neihu District,  
 Taipei City 11494, Taiwan, R.O.C.  
 Tel: 886-2-8791-4988  
 Fax: 886-2-8791-4966  
 E-mail: sales@flytech.com.tw  
 www.flytech.com

### U.S.A. - California

728 Charcot Ave, San Jose,  
 CA 95131, U.S.A  
 Tel: 1-510-257-5180  
 Fax: 1-510-257-5181  
 E-mail: sales@flytech.com

### China - Shanghai

3F Building 39, No. 333 Qin Jiang Rd.,  
 Shanghai 200233, P.R.China  
 Tel: 86-21-5426-1555  
 Fax: 86-21-5426-1001  
 E-mail: sales@flytech.com.cn  
 www.flytech.com.cn

### China - Hong Kong

Room 01, 6/F, Block A, Tonic Industrial  
 Centre, 26 Kai Cheung Road, Kowloon  
 Bay, Kowloon, Hong Kong.  
 Tel: 852-3525-5800  
 Fax: 852-2751-7447  
 E-mail: sales@flytech.com.hk