



K757



IP65



Fanless



WiFi



Webcam



MSR



Device Box

Features

- 15.6" True-Flat Resistive or PCAP Touch
- Intel Skylake U Processor
- Front IP65
- Fanless and Silent
- WiFi + BT Available
- Webcam Available
- MSR Available
- Device Box (Smart IC Card Reader, RFID,Scanner, Line-out, Mic-in) Available



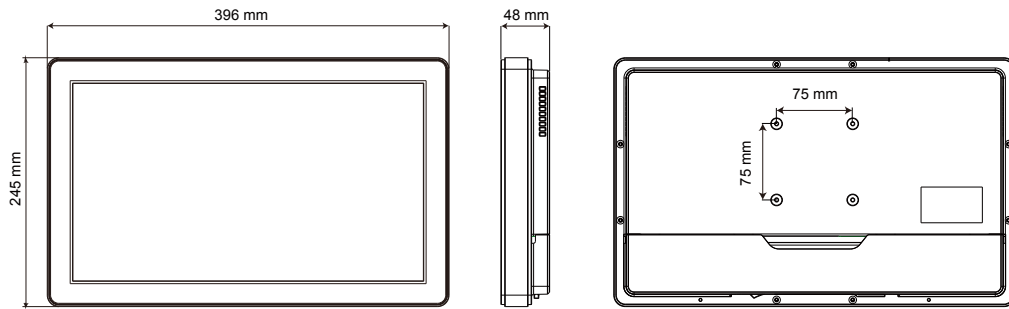
Reliability, functionality, accuracy, hygiene, performance efficiency and cost-effectiveness are all synonyms for hardware solutions when it comes to interactive information, digital signage, kiosks, and medical equipment. Whether looking for panel PC solutions for mission critical or non-critical environments, at Flytech, we understand the importance of providing the optimal panel PC system that suits an array of applications.

K757

Multifunctional Touch Panel PC

FLYTECH

www.flytech.com



Specification

Motherboard	Type Processor Chipset System Memory Memory Socket Graphic Engine	D86U Intel Skylake U CPU Celeron 3955U, i3-6100U, i5-6300U CPU Integrated DDR3L 1600MHz (max. 8G) 1x SO-DIMM Intel Graphic (Gen 9)
LCD Touch Panel	LCD Size Brightness Resolution Touch Screen	15.6" (16:9 ratio) 220 nits 1366 x 768 True-Flat Resistive or PCAP Touch
Storage Device	HDD/ SSD Flash Memory	1x 2.5" SATA SATA Slim SSD 8G/ 16G/ 32G/ 64G (Option)
Expansion	Mini PCI-E Socket	1
External I/O Ports	USB Serial Port LAN Audio Jack VGA DVI	4x USB3.0, 2x USB2.0 4x RJ48 (with DB9 convert cable) 2x RJ45 1x Line-out, 1x Mic-in 1x DB15 1x DVI-D (Option)
Audio	Internal Speaker	2x 2W
Power	Power Adapter Wide Range Power Input Connector	65W / 19V 12-48V 4-pole DIN (with latch)
Peripheral (Option)	WiFi + BT Built-in Webcam MSR Device Box	802.11 b/g/n WLAN card + BT 4.0 2MP 3-Track MSR (USB) Smart IC Card Reader, RFID, Scanner, Line-out, Mic-in
Certificate	EMC & Safety	FCC Class A, CE Mark, LVD
Environment	Ventilation Dust & Water Proof Operating Temperature Storage Temperature Humidity	Fanless Front IP65 0°C ~ 35°C (32°F ~ 95°F) (Still Air) -20°C ~ 60°C (-4°F ~ 140°F) 20% ~ 85% RH non-condensing
Dimension (WxDxH)		396 x 48 x 245 mm (15.6" x 1.9" x 9.6")
Weight		4.5 kg (9.9 lbs)
Mounting		VESA Mount 75 X 75
OS Supported		Windows 7 (64bit), POSReady 7 (64bit), Windows 8.1 (64bit), Windows Embedded 8.1 Industry (64bit), Windows 10 (64bit), Windows 10 IoT Enterprise (64bit), Linux

Taiwan - Headquarters

No.168, Sing-ai Rd., Neihu District,
Taipei City 11494, Taiwan, R.O.C.
Tel: 886-2-8791-4988
Fax: 886-2-8791-4966
E-mail: sales@flytech.com.tw
www.flytech.com

U.S.A. - California

728 Charcot Ave, San Jose,
CA 95131, U.S.A
Tel: 1-510-257-5180
Fax: 1-510-257-5181
E-mail: sales@flytech.com

China - Shanghai

3F Building 39, No. 333 Qin Jiang Rd.,
Shanghai 200233, P.R.China
Tel: 86-21-5426-1555
Fax: 86-21-5426-1001
E-mail: sales@flytech.com.cn
www.flytech.com.cn

China - Hong Kong

Room 01, 6/F, Block A, Tonic Industrial
Centre, 26 Kai Cheung Road, Kowloon
Bay, Kowloon, Hong Kong.
Tel: 852-3525-5800
Fax: 852-2751-7447
E-mail: sales@flytech.com.hk