



## K757



IP65



Fanless\*



WiFi



Webcam



MSR



Device Box

### Features

- 15.6" True-Flat Resistive or PCAP Touch
- Intel Bay Trail or Haswell Processor
- Front IP65
- WiFi + BT Available
- Webcam Available
- MSR Available
- Device Box (Smart IC Card Reader, RFID,Scanner, Line-out, Mic-in) Available

\*Fanless is Available for Intel Bay Trail



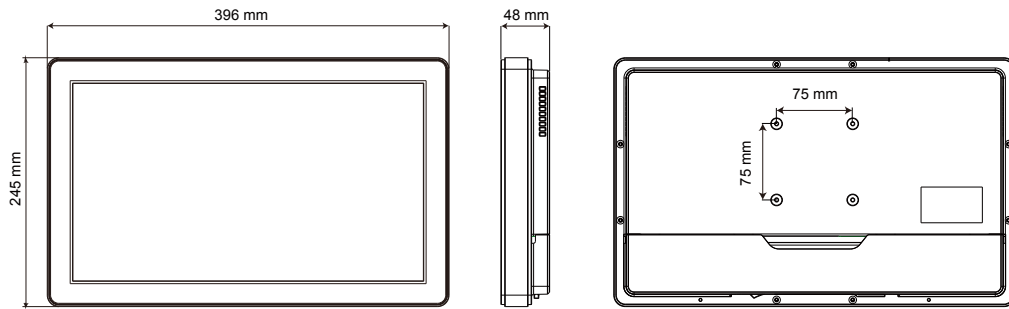
Reliability, functionality, accuracy, hygiene, performance efficiency and cost-effectiveness are all synonyms for hardware solutions when it comes to interactive information, digital signage, kiosks, and medical equipment. Whether looking for panel PC solutions for mission critical or non-critical environments, at Flytech, we understand the importance of providing the optimal panel PC system that suits an array of applications.

# K757

Multifunctional Touch Panel PC

**FLYTECH**

www.flytech.com



## Specification

<b>Motherboard</b>	Type Processor Chipset System Memory Memory Socket Graphic Engine	D36* Intel Bay Trail CPU Celeron J1900, Quad Core 2G/2.41G CPU Integrated DDR3L 1333MHz (max. 8G) 1x SO-DIMM Intel HD Graphic	D66 Intel Haswell CPU (max. 45W) Intel Q87 (AMT 9.0) DDR3 1333MHz (max. 8G) 1x SO-DIMM Intel HD Graphic
<b>LCD Touch Panel</b>	LCD Size Brightness Resolution Touch Screen	15.6" (16:9 ratio) 220 nits 1366 x 768 True-Flat Resistive or PCAP Touch	15.6" (16:9 ratio) 220 nits 1366 x 768 True-Flat Resistive or PCAP Touch
<b>Storage Device</b>	HDD/ SSD Flash Memory	1x 2.5" SATA SATA Slim SSD 8G/ 16G/ 32G/ 64G (Option)	1x 2.5" SATA SATA Slim SSD 8G/ 16G/ 32G/ 64G (Option)
<b>Expansion</b>	Mini PCI-E Socket	1	1
<b>External I/O Ports</b>	USB Serial Port LAN Audio Jack VGA DVI	1x USB3.0, 4x USB2.0 4x RJ48 (with DB9 convert cable) 2x RJ45 1x Line-out 1x DB15 1x DVI-D (Option)	2x USB3.0, 4x USB2.0 4x RJ48 (with DB9 convert cable) 2x RJ45 1x Line-out, 1x Mic-in 1x DB15 1x DVI-D (Option)
<b>Audio</b>	Internal Speaker	2x 2W	2x 2W
<b>Power</b>	Power Adapter Wide Range Power Input Connector	65W / 19V 12-48V 4-pole DIN (with latch)	120W / 19V 12-48V 4-pole DIN (with latch)
<b>Peripheral (Option)</b>	WiFi + BT Built-in Webcam MSR Device Box	802.11 b/g/n WLAN card + BT 4.0 2MP 3-Track MSR (USB) Smart IC Card Reader, RFID, Scanner, Line-out, Mic-in	802.11 b/g/n WLAN card + BT 4.0 2MP 3-Track MSR (USB) Smart IC Card Reader, RFID, Scanner, Line-out, Mic-in
<b>Certificate</b>	EMC & Safety	FCC Class A, CE Mark, LVD	FCC Class A, CE Mark, LVD
<b>Environment</b>	Ventilation Dust & Water Proof Operating Temperature Storage Temperature Humidity	Fanless Front IP65 0°C ~ 35°C (32°F ~ 95°F) (Still Air) -20°C ~ 60°C (-4°F ~ 140°F) 20% ~ 85% RH non-condensing	Fan Front IP65 0°C ~ 35°C (32°F ~ 95°F) (Still Air) -20°C ~ 60°C (-4°F ~ 140°F) 20% ~ 85% RH non-condensing
<b>Dimension (WxDxH)</b>		396 x 48 x 245 mm (15.6" x 1.9" x 9.6")	
<b>Weight</b>		4.5 kg (9.9 lbs)	
<b>Mounting</b>		VESA Mount 75 X 75	
<b>OS Supported</b>		Windows 7 (32/64bit), Windows 8.1 (32/64bit), Windows 10 (64bit), Linux	

### Taiwan - Headquarters

No.168, Sing-ai Rd., Neihu District,  
Taipei City 11494, Taiwan, R.O.C.  
Tel: 886-2-8791-4988  
Fax: 886-2-8791-4966  
E-mail: sales@flytech.com.tw  
www.flytech.com

### U.S.A. - California

728 Charcot Ave, San Jose,  
CA 95131, U.S.A  
Tel: 1-510-257-5180  
Fax: 1-510-257-5181  
E-mail: sales@flytech.com

### China - Shanghai

3F Building 39, No. 333 Qin Jiang Rd.,  
Shanghai 200233, P.R.China  
Tel: 86-21-5426-1555  
Fax: 86-21-5426-1001  
E-mail: sales@flytech.com.cn  
www.flytech.com.cn

### China - Hong Kong

Room 01, 6/F, Block A, Tonic Industrial  
Centre, 26 Kai Cheung Road, Kowloon  
Bay, Kowloon, Hong Kong.  
Tel: 852-3525-5800  
Fax: 852-2751-7447  
E-mail: sales@flytech.com.hk