

K747



450 nits



IP66



Fanless



WiFi



RFID



Features

- 15" True-Flat PCAP Touch
- Intel Bay Trail Processor
- Front IP66, Rear IP20
- Fanless and Silent
- Isolated DI/DO, RS232 & RS232/422/485 by Terminal Block with Strain Relief
- RFID/ WiFi + BT Available
- Front Key-Secured Lock for USB & Power Switch
- Best Panel Mount IPC Solution for Automation Application

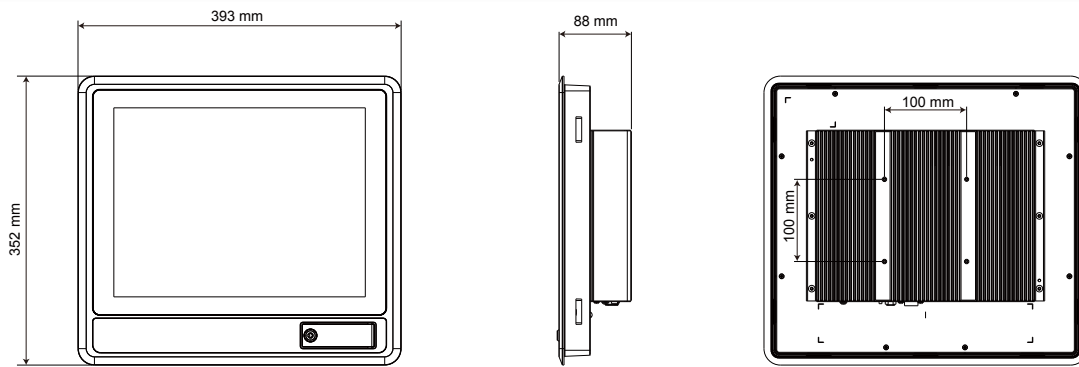


As labor costs are increasingly growing, companies in the automation industry are looking to make their factories smarter through improving efficiency, lowering human labor, and continuing to guarantee high product quality. Flytech provides a wide range of industrial touch Panel PC products in different form factors, high brightness displays, and customizable high performance hardware configurations that are designed and certified to work under harsh environments and various automation applications.

K747

Industrial Automation Touch Panel Mount PC

FLYTECH
www.flytech.com



Specification

System	Motherboard	D35
	Processor	Intel Bay Trail CPU Celeron J1900 2.4GHz
	Chipset	CPU Integrated
	System Memory	1x DDR3L 1066/1333MHz SO-DIMM up to 8GB
	Storage Device	1x 2.5" SATA HDD or SSD or SSD module
	Graphic Engine	Intel HD Graphics
LCD Touch Panel	LCD Size	15" (4:3 ratio)
	Brightness	450 nits
	Resolution	1024 x 768
	Touch Screen	True-Flat PCAP Touch
Expansion	Mini PCI-E Slot	2 (Full & Half-size)
External I/O Ports	USB	1x USB2.0 Front, 4x USB2.0 Rear
	Serial Port	2x RS232, 1x RS232/422/485 (Isolation, terminal block)
	LAN	2x RJ45
	Audio Jack	1x Line-out, 1x Mic-in
	VGA	1x DB15
	DVI	1x DVI-D
	GPIO	4x DI/ 4x DO (Isolation, terminal block)
	Power Button	1x Front, 1x Rear
Power	Wide Range Power Input Connector	12-48V 3-pole terminal block
Peripheral (Option)	WiFi + BT	802.11 b/g/n WLAN card + BT 4.0
	RFID	1
Certificate	EMC & Safety	FCC Class B, CE Mark
Environment	Ventilation	Fanless
	Dust & Water Proof	Front IP66, Rear IP20
	Operating Temperature	0°C ~ 50°C (32°F ~ 122°F) (Still Air)
	Storage Temperature	-20°C ~ 60°C (-4°F ~ 140°F)
	Humidity	10% ~ 95% @40°C, non-condensing
	Operating Vibration	5Grms random, 5 ~ 500Hz (1Grms with HDD) (EN 60068-2-6)
	Operating Shock	20Grms random, 11ms (EN 60068-2-27)
Dimensions (WxDxH)		393 x 88 x 352 mm (15.5" x 3.5" x 13.8")
Weight		5.8 kg (12.8 lbs)
Mounting		Panel Mount, VESA Mount 100 x 100
OS Supported		Windows 7 (32/64bit), Windows 8.1 (32/64bit), Windows 10 (32/64bit), Linux

Taiwan - Headquarters

No.168, Sing-ai Rd., Neihu District,
Taipei City 11494, Taiwan, R.O.C.
Tel: 886-2-8791-4988
Fax: 886-2-8791-4966
E-mail: sales@flytech.com.tw
www.flytech.com

U.S.A. - California

728 Charcot Ave, San Jose,
CA 95131, U.S.A.
Tel: 1-510-257-5180
Fax: 1-510-257-5181
E-mail: sales@flytech.com

China - Shanghai

3F Building 39, No. 333 Qin Jiang Rd.,
Shanghai 200233, P.R.China
Tel: 86-21-5426-1555
Fax: 86-21-5426-1001
E-mail: sales@flytech.com.cn
www.flytech.com.cn

China - Hong Kong SAR

Room 01, 6/F, Block A, Tonic Industrial
Centre, 26 Kai Cheung Road, Kowloon
Bay, Kowloon, Hong Kong.
Tel: 852-3525-5800
Fax: 852-2751-7447
E-mail: sales@flytech.com.hk