

## K738



### Features

- 18.5" True-Flat PCAP Touch
- Intel Bay Trail Processor
- Front IP66, Rear IP20
- Fanless and Silent
- Isolated DI/DO, RS232 & RS232/422/485 by Terminal Block with Strain Relief
- RFID/ WiFi + BT Available
- Front Key-Secured Lock for USB & Power Switch
- Best Panel Mount IPC Solution for Automation Application



IP66



Fanless



WiFi



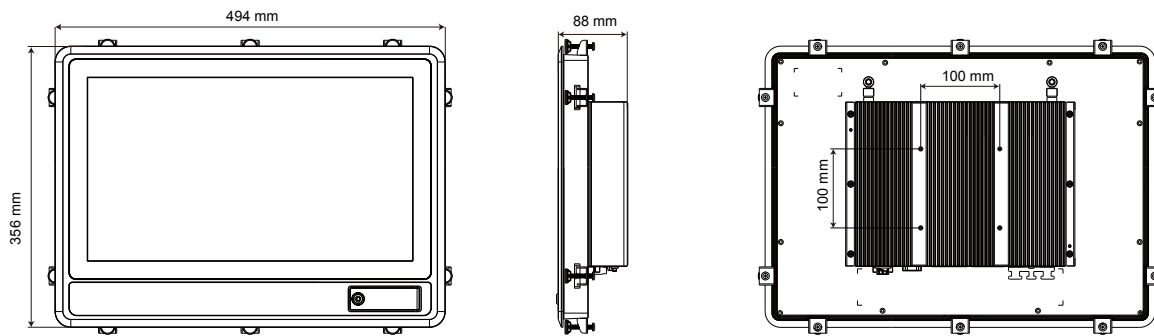
RFID

As labor costs are increasingly growing, companies in the automation industry are looking to make their factories smarter through improving efficiency, lowering human labor, and continuing to guarantee high product quality. Flytech provides a wide range of industrial touch Panel PC products in different form factors, high brightness displays, and customizable high performance hardware configurations that are designed and certified to work under harsh environments and various automation applications.

# K738

Industrial Automation Touch Panel Mount PC

**FLYTECH**  
www.flytech.com



## Specification

<b>System</b>	Motherboard	D35
	Processor	Intel Bay Trail CPU Celeron J1900 2.4GHz
	Chipset	CPU Integrated
	System Memory	1x DDR3L 1066/1333MHz SO-DIMM up to 8GB
	Storage Device	1x 2.5" SATA HDD or SSD or SSD module
	Graphic Engine	Intel HD Graphics
<b>LCD Touch Panel</b>	LCD Size	18.5" (16:9 ratio)
	Brightness	250 nits
	Resolution	1366 x 768
	Touch Screen	True-Flat PCAP Touch
<b>Expansion</b>	Mini PCI-E Slot	2 (Full & Half-size)
<b>External I/O Ports</b>	USB	1x USB2.0 Front, 4x USB2.0 Rear
	Serial Port	2x RS232, 1x RS232/422/485 (Isolation, terminal block)
	LAN	2x RJ45
	Audio Jack	1x Line-out, 1x Mic-in
	VGA	1x DB15
	DVI	1x DVI-D
	GPIO	4x DI/ 4x DO (Isolation, terminal block)
	Power Button	1x Front, 1x Rear
<b>Power</b>	Wide Range Power Input	12-48V
	Connector	3-pole terminal block
<b>Peripheral (Option)</b>	WiFi + BT	802.11 b/g/n WLAN card + BT 4.0
	RFID	1
<b>Certificate</b>	EMC & Safety	FCC Class B, CE Mark
<b>Environment</b>	Ventilation	Fanless
	Dust & Water Proof	Front IP66, Rear IP20
	Operating Temperature	0°C ~ 50°C (32°F ~ 122°F) (Still Air)
	Storage Temperature	-20°C ~ 60°C (-4°F ~ 140°F)
	Humidity	10% ~ 95% @40°C, non-condensing
	Operating Vibration	5Grms random, 5 ~ 500Hz (1Grms with HDD) (EN 60068-2-6)
Operating Shock	20Grms random, 11ms (EN 60068-2-27)	
<b>Dimensions (WxDxH)</b>	494 x 88 x 356 mm (19.4" x 3.5" x 14")	
<b>Weight</b>	6.5 kg (14.3 lbs)	
<b>Mounting</b>	Panel Mount, VESA Mount 100 x 100	
<b>OS Supported</b>	Windows 7 (32/64bit), Windows 8.1 (32/64bit), Windows 10 (32/64bit), Linux	

### Taiwan - Headquarters

No.168, Sing-ai Rd., Neihu District,  
Taipei City 11494, Taiwan, R.O.C.  
Tel: 886-2-8791-4988  
Fax: 886-2-8791-4966  
E-mail: sales@flytech.com.tw  
www.flytech.com

### U.S.A. - California

728 Charcot Ave, San Jose,  
CA 95131, U.S.A.  
Tel: 1-510-257-5180  
Fax: 1-510-257-5181  
E-mail: sales@flytech.com

### China - Shanghai

3F Building 39, No. 333 Qin Jiang Rd.,  
Shanghai 200233, P.R.China  
Tel: 86-21-5426-1555  
Fax: 86-21-5426-1001  
E-mail: sales@flytech.com.cn  
www.flytech.com.cn

### China - Hong Kong SAR

Room 01, 6/F, Block A, Tonic Industrial  
Centre, 26 Kai Cheung Road, Kowloon  
Bay, Kowloon, Hong Kong.  
Tel: 852-3525-5800  
Fax: 852-2751-7447  
E-mail: sales@flytech.com.hk